

Sinks & Faucets

Crafted from high quality 304 Series stainless steel



- Full undercoating with sound dampening pad
- Fully rated SGS and CSA tested products
- Finest stainless steel
- Limited lifetime warranty

DANVER

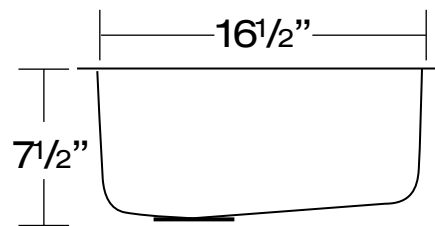
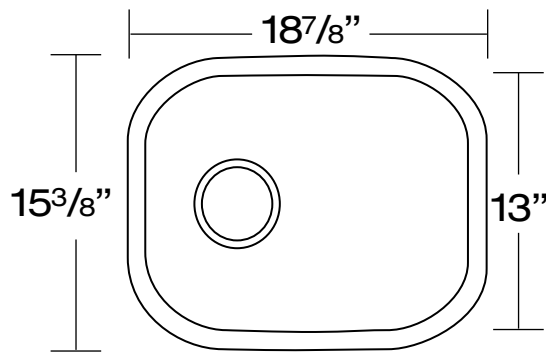
STAINLESS STEEL CABINETRY

STAINLESS STEEL 18 GAUGE SINKS

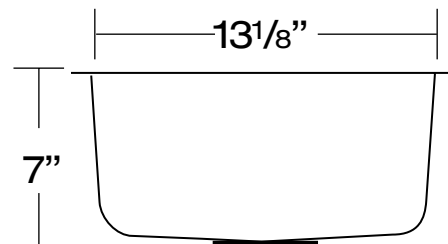
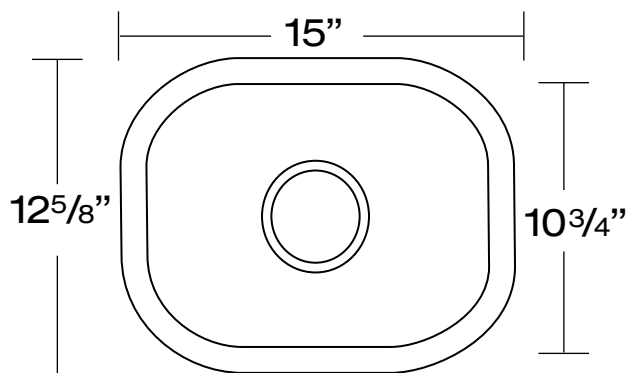
Our 18 gauge sinks are crafted from 304 Series stainless steel with 18/10 chromium nickel content, with full undercoating for sound dampening. When properly maintained they will retain their brilliant satin luster for years to come.

BAR/ISLAND SINKS

DANS14



DANS15



DANVER

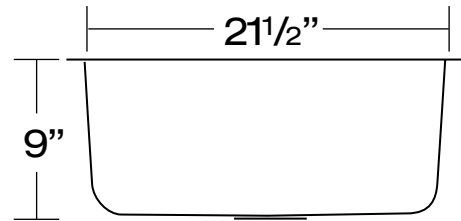
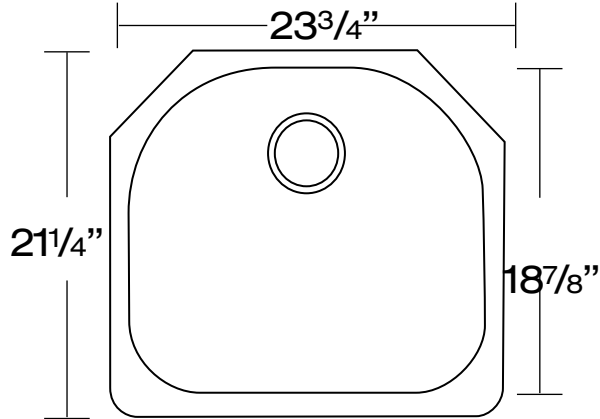
STAINLESS STEEL CABINETRY

STAINLESS STEEL 18 GAUGE SINKS

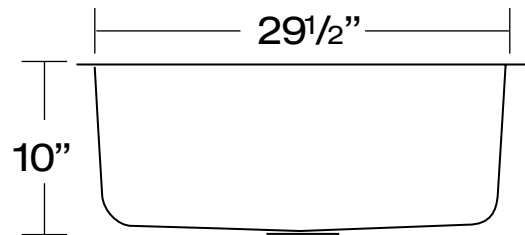
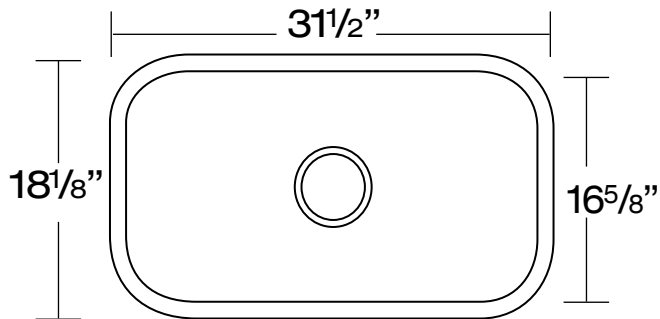
Our 18 gauge sinks are crafted from 304 Series stainless steel with 18/10 chromium nickel content, with full undercoating for sound dampening. When properly maintained they will retain their brilliant satin luster for years to come.

SINGLE BOWL SINKS

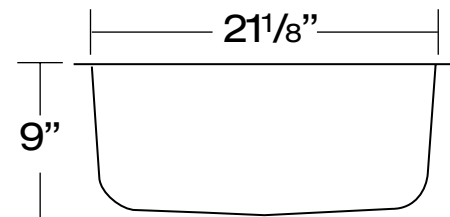
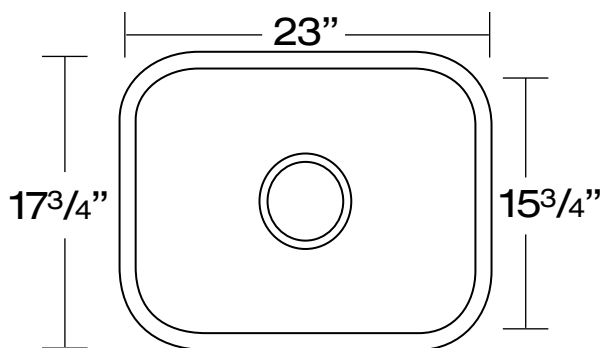
DANS11



DANS12



DANS13



DANVER

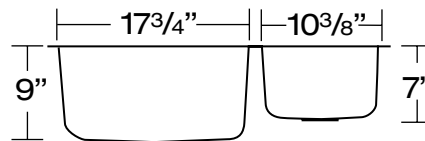
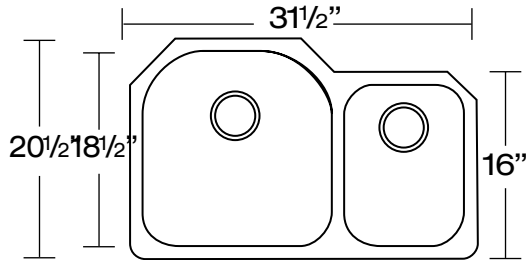
STAINLESS STEEL CABINETRY

STAINLESS STEEL 18 GAUGE SINKS

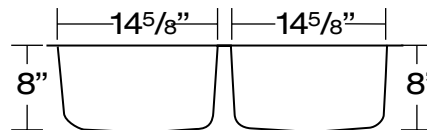
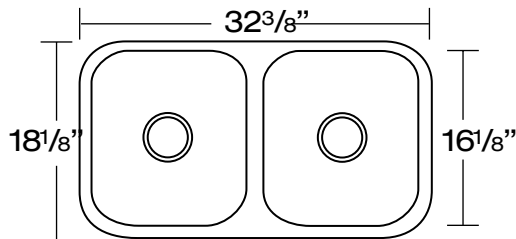
Our 18 gauge sinks are crafted from 304 Series stainless steel with 18/10 chromium nickel content, with full undercoating for sound dampening. When properly maintained they will retain their brilliant satin luster for years to come.

DOUBLE BOWL SINKS

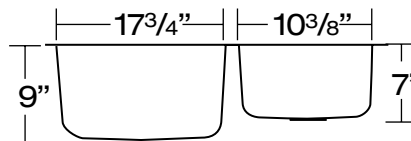
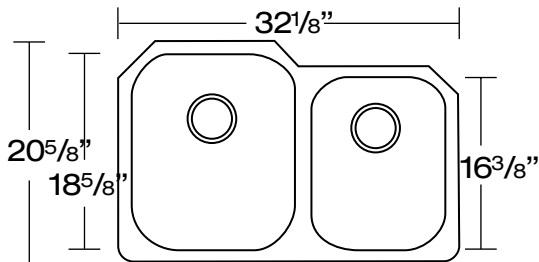
DANS21 - REVERSE AVAILABLE



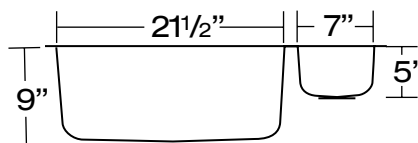
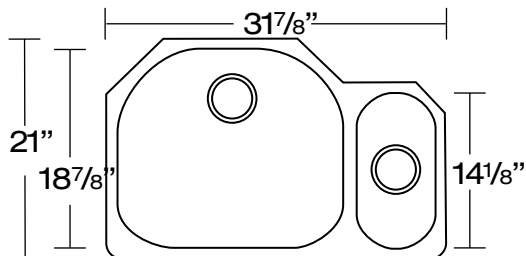
DANS22



DANS23 - REVERSE AVAILABLE



DANS23 - REVERSE AVAILABLE



DANVER

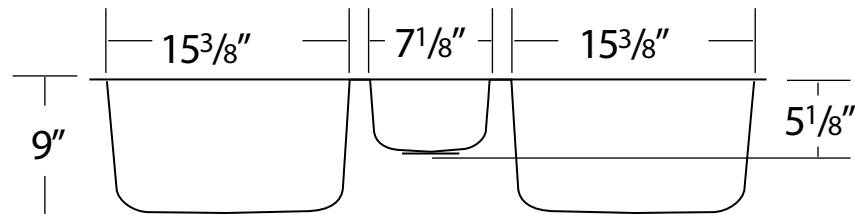
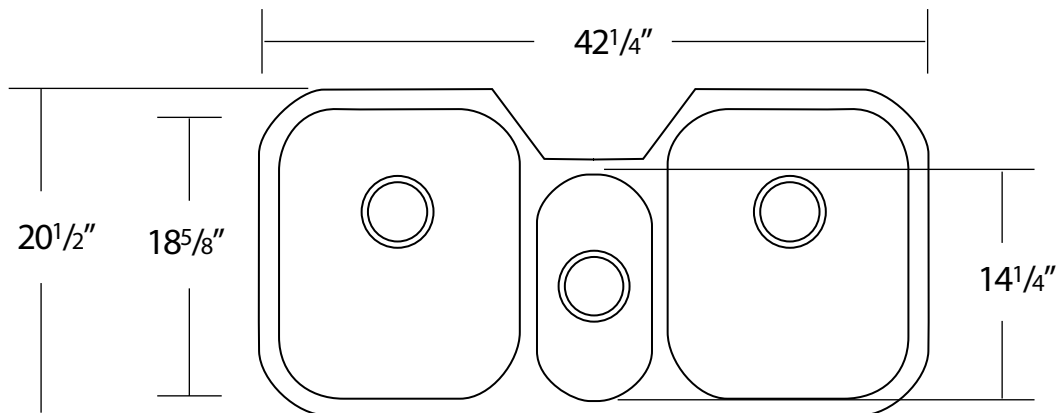
STAINLESS STEEL CABINETRY

STAINLESS STEEL 18 GAUGE SINKS

Our 18 gauge sinks are crafted from 304 Series stainless steel with 18/10 chromium nickel content, with full undercoating for sound dampening. When properly maintained they will retain their brilliant satin luster for years to come.

TRIPLE BOWL SINKS

DANS33



DANVER

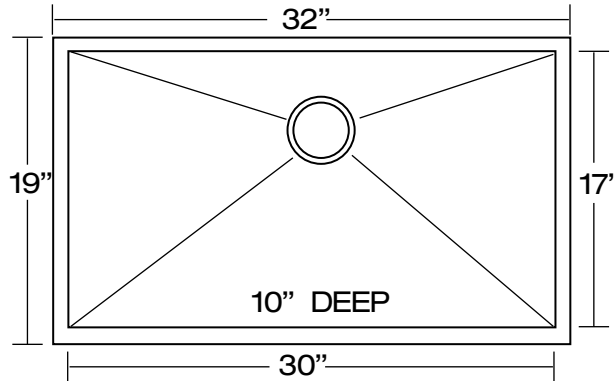
STAINLESS STEEL CABINETRY

STAINLESS STEEL ZERO RADIUS SINKS

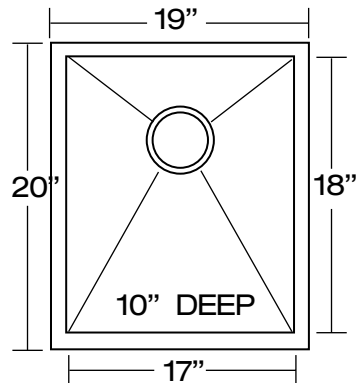
Our 16 Gauge Zero Radius sinks are crafted from 304 Series stainless steel with 18/10 chromium nickel content, with full undercoating for sound dampening. When properly maintained they will retain their brilliant satin luster for years to come.

SINGLE BOWL SINKS

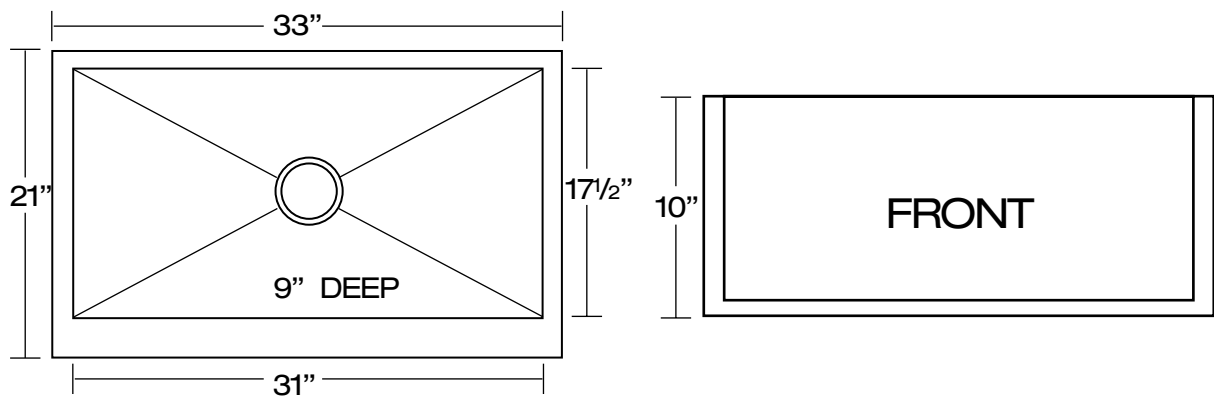
DANS62



DANS63



DANS79-APRON/FARM SINK



DANVER

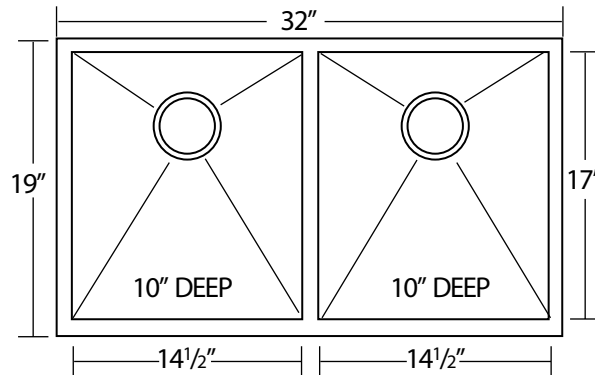
STAINLESS STEEL CABINETRY

STAINLESS STEEL ZERO RADIUS SINKS

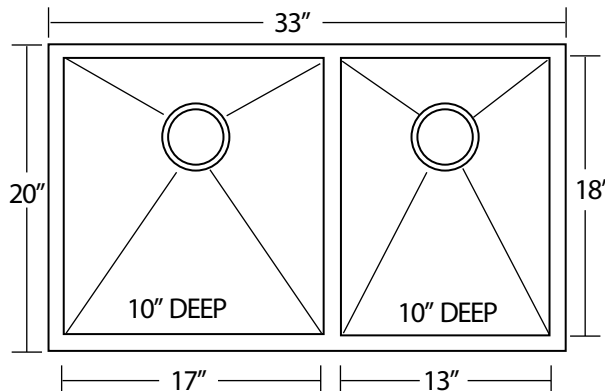
Our 16 Gauge Zero Radius sinks are crafted from 304 Series stainless steel with 18/10 chromium nickel content, with full undercoating for sound dampening. When properly maintained they will retain their brilliant satin luster for years to come.

DOUBLE BOWL SINKS

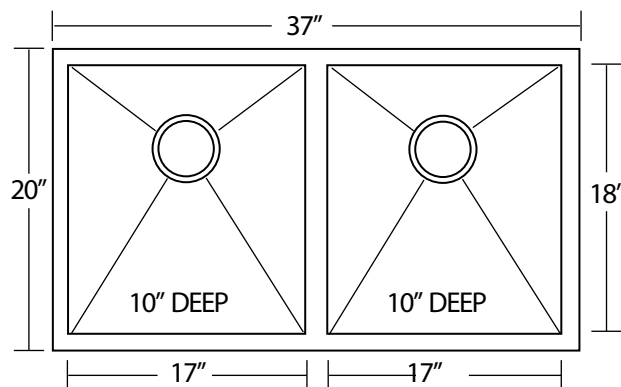
DANS72



DANS73



DANS78-EXTRA WIDE



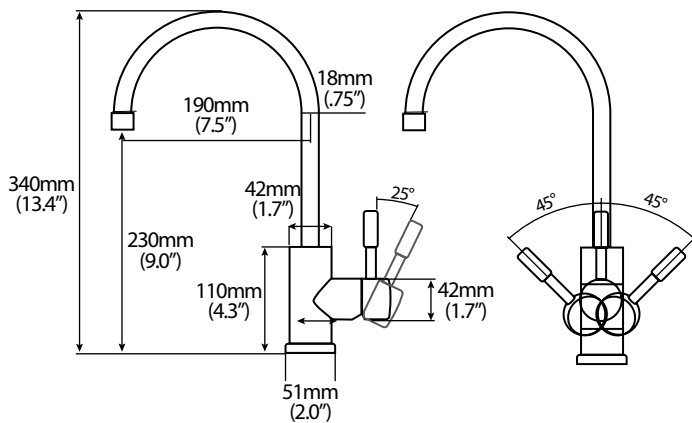
DANVER

STAINLESS STEEL CABINETRY

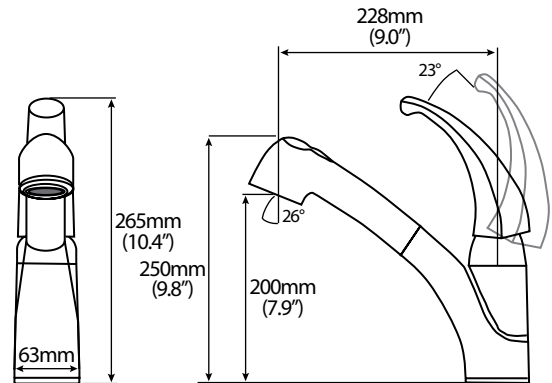
STAINLESS STEEL FAUCETS

Our faucets are crafted from high quality 304 Series stainless steel with 18/10 Chromium nickel content and all contain ceramic disk cartridges for durability. When properly maintained they will retain their brilliant satin luster for years to come.

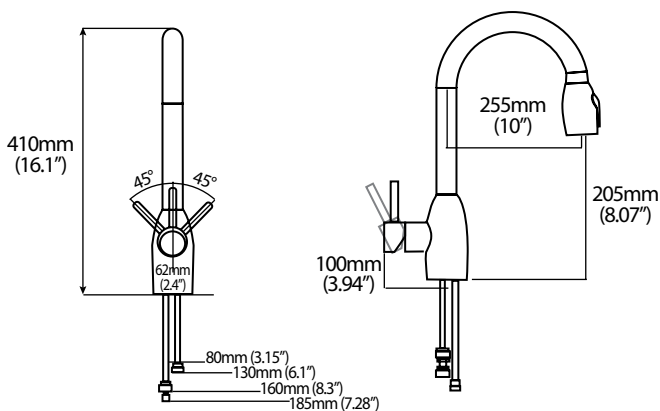
DANF1
GOOSENECK BAR/ISLAND FAUCET



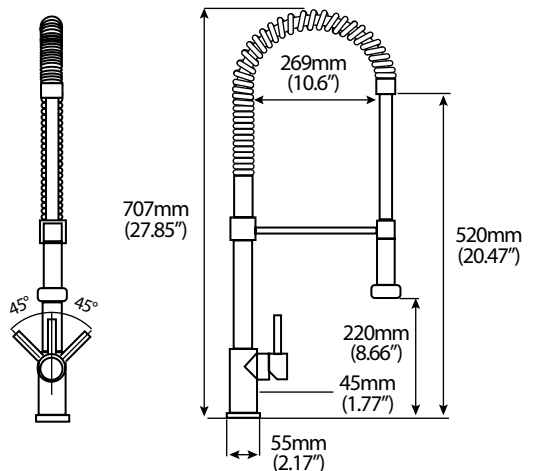
DANF2
TRADITIONAL FAUCET WITH PULLOUT SPRAYER



DANF3
GOOSENECK FAUCET WITH PULLOUT SPRAYER



DANF4
SINGLE HANDLE FAUCET WITH UTILITY SPRAYER



DANVER

STAINLESS STEEL CABINETRY