

Hoshizaki AM-50BAE Air-Cooled Undercounter Ice Machine



Hoshizaki AM-50BAE Self-Contained Ice Machine with Built-In Storage Bin – Produces up to 51 lbs of ice per 24 hr period. Standard model is 14-7/8"W x 22-5/8"D x 33-1/2"H, undercounter design is less than 34 inches tall. UL approved for outdoor use. Cuber makes individual top-hat style cubes eliminates clumping and allow for easy filling of glass. Up to 30 lbs of built-in storage capacity.

DANVER

STAINLESS STEEL CABINETRY

Hoshizaki AM-50 Undercounter Ice Machine

AM-50BAE

W 14 7/8" x D 22 5/8" x H 33 1/2"
Weight: 55lbs.

AM-50BAE-AD

W 14 7/8" x D 22 5/8" x H 31 1/2"
Weight: 55lbs.



The AM Cuber features a stainless steel finish and fewer moving parts for longer life. The AM-50 undercounter design is small enough to fit conveniently into most cabinetry without additional ventilation. The swing style reversible door and the UL outdoor approval expand the possibilities where the unit can be installed. The AM-50BAE-AD complies with the Americans with Disabilities Act (ADA) for height.

CycleSaver® Design

- Hoshizaki cubers produce the same quantity of ice in half as many cycles as competitive brands
- Fewer cycles per day results in increased life & profits
- It will take a Hoshizaki ice machine 15 years to accumulate as many cycles as the competition in 6 years
- Reduced energy consumption, cleaning and maintenance



Energy Efficiencies

- Complies with CEC, California Energy Commission guidelines
- Qualifies for utility rebates
- Energy Star certified



Dual Stainless Steel Evaporator

- No plating, chipping or degradation
- Easy cleaning
- Produces individual crescent cubes
- No ice clusters or slabs to break up
- No inferior plastic materials



Stainless Steel Freezing Cylinder

- No plating, chipping or degradation
- Produces individual cubelet or flaked ice
- Industry's only greaseless bearing design improves life of the machine



HOSHIZAKI AMERICA, INC.

DANVER

STAINLESS STEEL CABINETRY

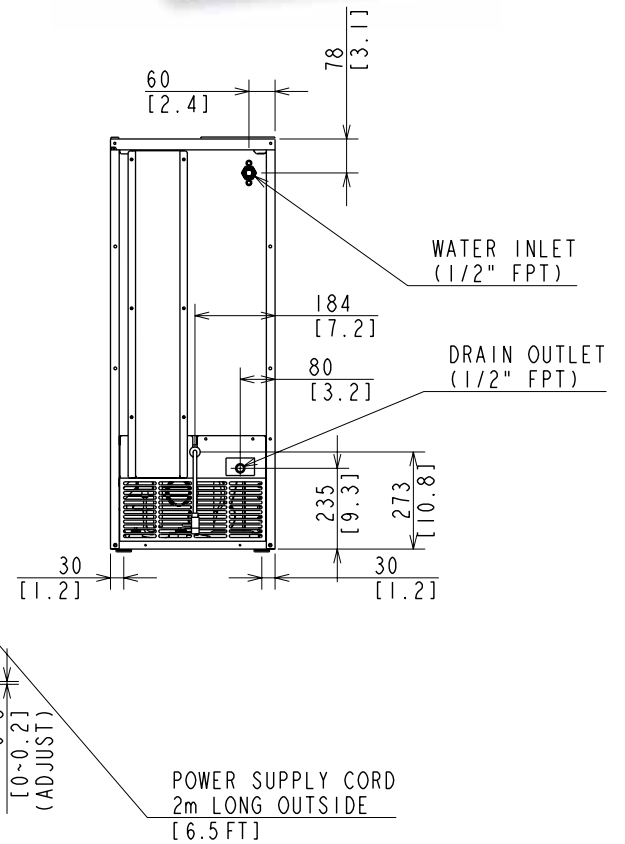
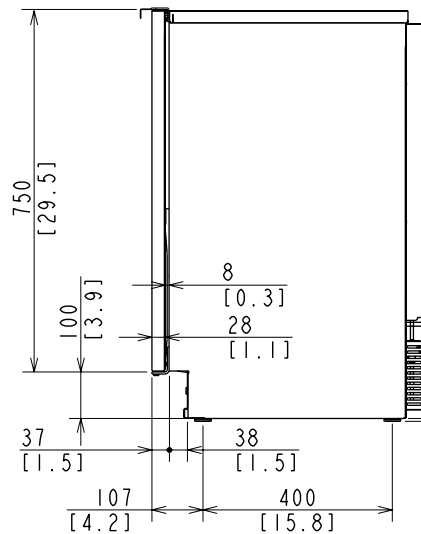
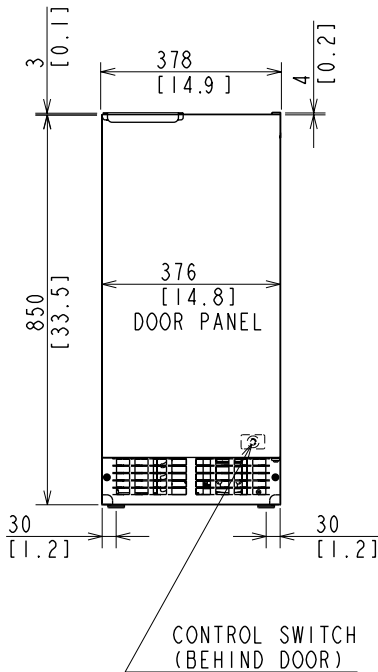
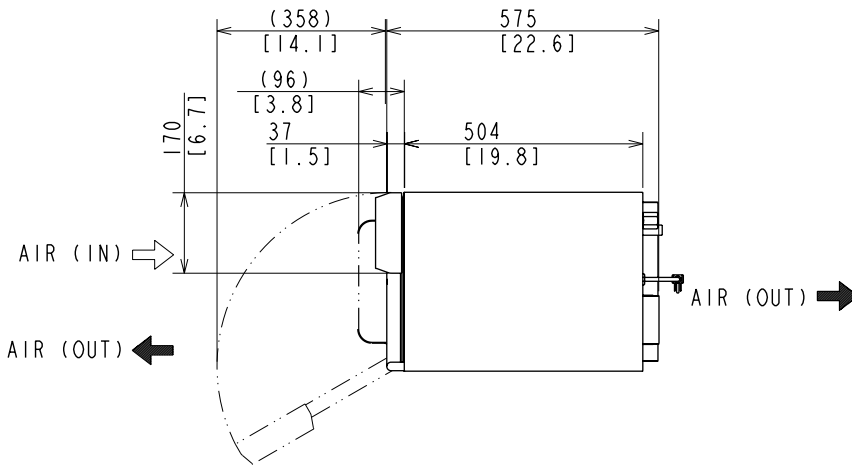
1 GRAND STREET, WALLINGFORD, CT 06492 • WWW.DANVER.COM • FAX: 203 265-6190 • TOLL FREE: 888 441-0537

Hoshizaki AM-50 Undercounter Ice Machine

AM-50BAE

W 14 7/8" x D 22 5/8" x H 33 1/2"
 Weight: 55lbs.

Units: mm [in.]



DANVER

STAINLESS STEEL CABINETRY