

Alfresco VersaPower™ Multi-Use Cooker



Alfresco's new VersaPower™ cooker offers from 400 to 65,000 BTUs of power for total heat control. The specially designed super heavy-duty spider grate will handle the smallest of saucepans up to a 100 quart stock pot. It is also ideal for a turkey fryer. Its versatility makes it the perfect complementary appliance to complete your outdoor kitchen.

DANVER

STAINLESS STEEL CABINETRY



STANDARD FEATURES

- All commercial stainless steel with heli-arc welded seams
- Exclusive dual burner system each with independent control
 - Min. heat control 400 BTU's
 - Max. heat control 65,000 BTU's
- Removable 3/8" diameter electropolished stainless steel spider grate
- Removable center trivet
- User-friendly 9 Volt push button ignition system
- Recessed sealed top for wind protection and to contain spillage

Unlike other power burners, VersaPower's™ burners are uniquely close to the top grate allowing heat to be directed onto the bottom of cookware greatly reducing dangerous and inefficient heat loss.

VersaPower – 2008 Vesta Award Finalist Outdoor Room Equipment



Teppanyaki Griddle

Remove the grate entirely and install a 3/16" thick solid stainless steel griddle for burgers, fajitas or authentic teppanyaki cooking.



Professional Wok

Remove the center trivet and the unit will support up to a 22" commercial wok (AGVPC-WOK)



Stainless Steel Pot Filler

Add our stainless steel pot filler for ease of use when filling large stock pots or pasta cooker. Adjustable tower height adds design flexibility.

DANVER

STAINLESS STEEL CABINETRY

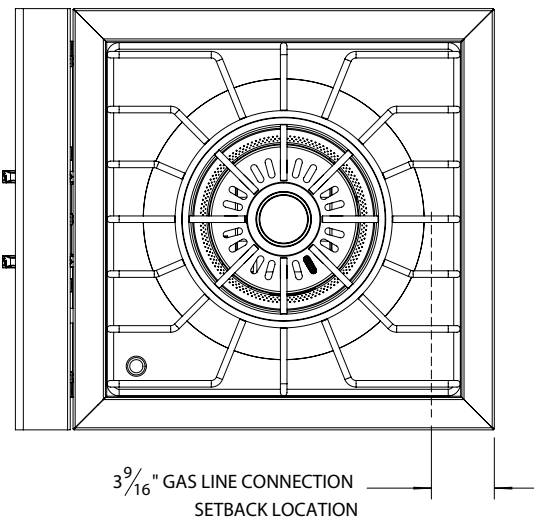
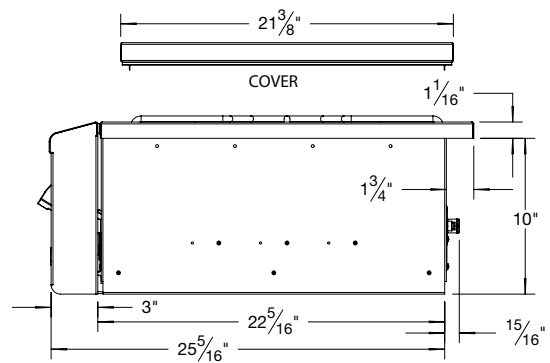
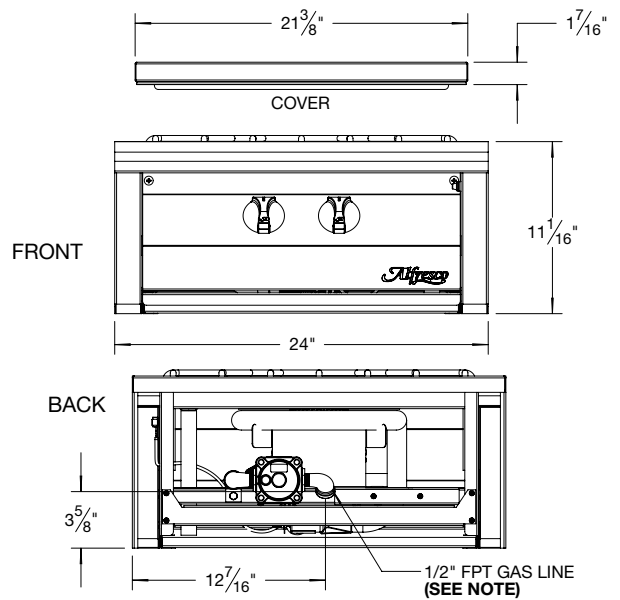
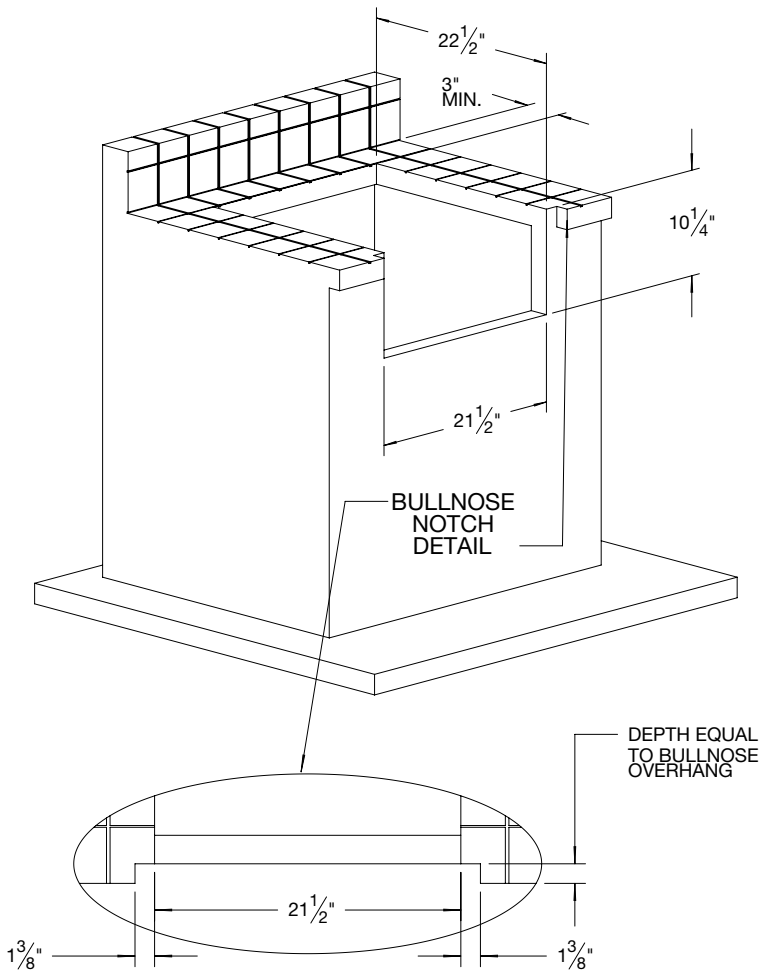
1 GRAND STREET, WALLINGFORD, CT 06492 • PHONE: 203 269-2300 • FAX: 203 265-6190 • TOLL FREE: 888 441-0537

Information on this page is furnished directly from Alfresco.



AGVPC TYPICAL INSTALLATION

COUNTERTOP CUTOUT REQUIREMENTS



- NOTE:**
- A GAS LINE IS REQUIRED INSIDE THE COUNTER FOR OPERATION.
 - IT IS RECOMMENDED THAT A FLEXIBLE GAS LINE IS USED TO EASE THE INSTALLATION IN NATURAL GAS (NG) SETUPS. THE CONNECTION IS 1/2" FPT.
 - IF LIQUID PROPANE SETUP IS ORDERED, THE UNIT IS SUPPLIED WITH A REGULATOR, A 36" HOSE AND A 1/2" MPT x 3/8" MPT ADAPTER.

DANVER

STAINLESS STEEL CABINETRY